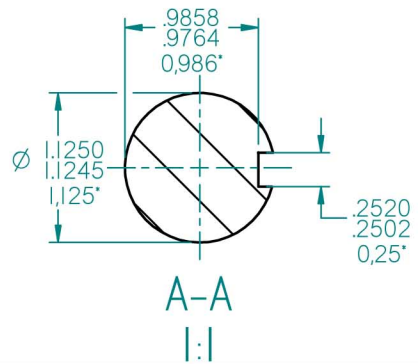


* NEMA DIMENSIONS STANDARDS PUBLICATION

STANDARD TERMINAL BOX POSITION IS 9 O'CLOCK AS SHOWN.
 CONDUIT ENTRIES:- TERMINAL BOX CAN BE ROTATED AT 90° INTERVALS
 (CONDUIT ENTRY POSITION SHOWN FOR ILLUSTRATION ONLY)



ALL DIMENSIONS IN INCHES

FIRST ANGLE PROJECTION

BROOK CROMPTON

SHEET SIZE A3	TITLE:	OUTLINE DIMENSION DRAWING W ALUMINIUM TOTALLY ENCLOSED FAN COOLED WP-DA184TSH-S2 2P FRAME FOOT & D FLANGE MOUNTED MOTOR
-------------------------	--------	---

	NAME	DATE
DRAWN	DL	23-11-12
CHECKED		
SCALE	1:2	

DRG. No.	
DRG. REF.	
REVISION:	DATE: